

# LXV75 SERIES

Constant Voltage LED Power Supplies: 75 Watts



## Features

- **Constant Voltage** LED power supplies
- Universal input voltage 90 ~ 264Vac
- Active Power Factor Correction typically 0.99
- Output voltage options 12 ~ 105vdc
- IP67 waterproof enclosure
- Overvoltage protection and Short Circuit protection
- Over temperature protection
- -35°C to +70°C operation
- EN55015 Conducted & Radiated Level B
- Safety: EN61347-1 and UL8750, CE

## Specifications

<b>Input Voltage</b>	90 ~ 264VAC
	• Optional 90-305VAC, add "W" to model
<b>Input Current</b>	0.90A @ 110vac input
<b>Frequency</b>	47 ~ 63Hz
<b>Output Power</b>	75 watts
<b>Power Factor</b>	0.99 at 240vac
<b>Output Voltage</b>	See table, accuracy typically 5%
<b>Efficiency</b>	Model dependant 90 ~ 93%
<b>Voltage Range</b>	Fixed
<b>Minimum Load</b>	Zero
<b>Regulation-Line</b>	±1%
<b>Regulation-Load</b>	±2%
<b>Dynamic Response</b>	Voltage deviation 5% for 25~75% load step, recovery within 10ms
<b>Ripple &amp; Noise</b>	2% pk-pk, 20MHz Bandwidth
	With 0.1uF and 10uF capacitor connected on output
<b>Overshoot</b>	10%
<b>Turn-on Delay</b>	3sec, measured at 230vac 100% load
<b>Isolation</b>	Input ~ output: 3000VAC Input ~ Chassis: 1500VAC Output ~ Chassis: 500VDC
	• Input-Output isolation test not be carried out on these power supplies.
<b>Insulation</b>	Class I
<b>Protection</b>	OVP Latching Short circuit protection with auto recovery Over temperature protection
<b>Safety</b>	EN61347-1 and UL8750 pending
<b>No Load Power</b>	No load power dissipation 1W
<b>EMC</b>	EN55015 Conducted Lev B EN55015 Radiated Lev B
<b>Immunity</b>	EN61000-4-5 ( 4KV L-E )
<b>Operating Temp.</b>	-35°C to +60°C at 100% load, 70°C @ 80% load.
<b>Humidity</b>	10 ~ 100% RH
<b>IP Rating</b>	IP67 waterproof
<b>MTBF</b>	Calculated: per Telecordia SR-33 @ 25°C: 2m hrs Lifetime: 100,000hrs
<b>Connections</b>	Input & output cable, 650 / 220mm
<b>Dimensions</b>	LXV75: 211 x 67 x 37mm 950g

## Description

The **LXV75** series "**Constant Voltage**" LED power supplies, deliver 75 watts in a very compact package and are part of a family of units from 75-300 watts. There's a large selection of models with output voltage up to 105V and output current options up to 6.25A, for specific LED configurations.

With industry leading efficiencies of up to 94% and IP67 protection, they provide high reliability and performance.

Suitable for a wide range of LED Driver applications. Contact office for LED configuration application notes.

Model	Output V	Output A	Power W
<b>LXV75-012S</b>	12V	6.25A	75W
<b>LXV75-024S</b>	24V	3.13A	
<b>LXV75-036S</b>	36V	2.08A	
<b>LXV75-042S</b>	42V	1.79A	
<b>LXV75-048S</b>	48V	1.56A	
<b>LXV75-054S</b>	54V	1.39A	
<b>LXV75-081S</b>	81V	0.93A	
<b>LXV75-105S</b>	105V	0.71A	

- Optional 90-305VAC, add "W" to model

# LXV75 SERIES

Constant Voltage LED Power Supplies: 75 Watts

## INPUT / OUTPUT WIRING

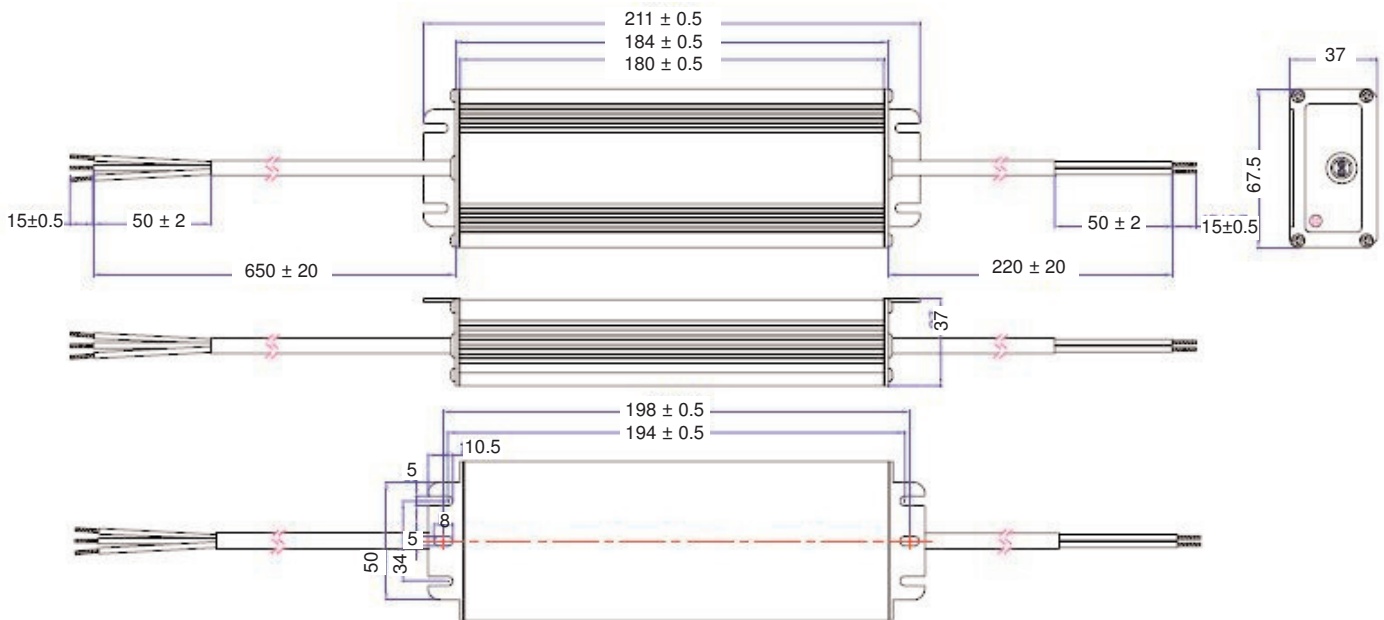
### INPUT CABLE

SJTW 18AWG 3C  
Black (L) and White(N), Green (E) 650±20mm

### OUTPUT CABLE

SJTW 18AWG 2C  
Black (-V) and Red (+V) 220±20mm

## MECHANICAL SPECIFICATIONS



All Tolerances  $\pm 0.2$ mm unless specified